



Optio

# 58BD Entrance Door

[aluk.co.uk](http://aluk.co.uk)

Experts in Aluminium

**ALUK**<sup>®</sup>



# 58BD Entrance Door



Available in a wide range of styles and formats, our stylish aluminium entrance door system is suitable for both light and medium-duty use. Designed with security and flexibility front of mind, every door in the range is available in single and double configurations making them ideal for almost any application.



## DESIGN FEATURES

- Certified under the Secured By Design scheme
- Tested to PAS 24
- Multi-point locking mechanism
- Designed to incorporate standard and security hardware using the same prep detail
- Cloaking feature conceals lock and prevents any access to locking points

## OPTIONS

- Glazing 24mm – 40mm
- 58mm or 70mm frame depth to accommodate varying types of applications
- Low threshold option for Part M – Building regulation
- Available in a range of single or dual colour and anodised finishes
- Available for new build or refurbishment projects
- Available in single or double door configuration

## SPECIFICATIONS

Performance & accreditations	Single open in	Single open out	Double open in	Double open out
Air permeability	Class 4 (600 Pa)	Class 4 (600 Pa)	Class 2 (300 Pa)	Class 2 (300 Pa)
Water penetration	Class 3a (100 Pa)	Class 7a (300 Pa)	Class 7a (300 Pa)	Class 9a (600 Pa)
Wind resistance	Class A3 (1200 Pa)	Class AE2400 (2400 Pa)	Class A2400 (2400 Pa)	Class A2400 (2400 Pa)
Building regulations part L compliant	✓	✓	✓	✓
Building regulations part M compliant	✓	✓	✓	✓
Building regulations part Q compliant	✓	✓	✓	✓
*U-value (double glazing)	1.7 W/m²K	1.7 W/m²K	1.7 W/m²K	1.7 W/m²K
†U-value (triple glazing)	1.4 W/m²K	1.4 W/m²K	1.5 W/m²K	1.5 W/m²K
Fire (EN1631-3)	npd	npd	npd	npd
Smoke (EN1631-3)	npd	npd	npd	npd
Security	PAS 24	PAS 24	PAS 24	PAS 24
3rd party certification	Q-mark	Q-mark	Q-mark	Q-mark
Secured by design	Yes	Yes	Yes	Yes
Durability EN1191 category	50,000 Cycles	50,000 Cycles	50,000 Cycles	50,000 Cycles

### System depth

Units (mm)	58mm and 70mm	58mm and 70mm	58mm and 70mm	58mm and 70mm

### Design features

Thermally broken	✓	✓	✓	✓
Low threshold	✓	✓	✓	✓
Panel door	✓	✓	✓	✓
Feature design - rounded contours	✓	✓	✓	✓
Sightline (Head)	120mm	120mm	120mm	120mm
Sightline (Cill)	111mm	111mm	111mm	111mm
Sightline (Jamb)	120mm	120mm	120mm	120mm
Sightline (Meeting Stile)	208mm	208mm	208mm	208mm

### Hardware

Multi-point locking	✓	✓	✓	✓
Barrel hinges	✓	✓	✓	✓

### Finishes

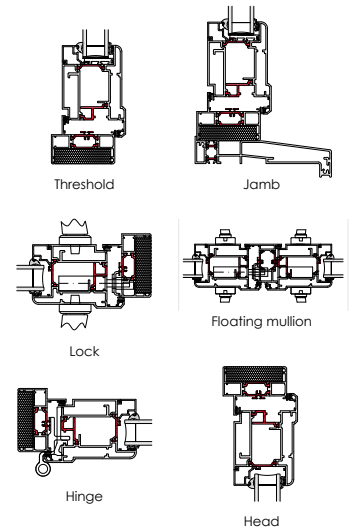
Single colour	✓	✓	✓	✓
Dual colour	✓	✓	✓	✓
Textured	✓	✓	✓	✓

### Maximum sizes and weights

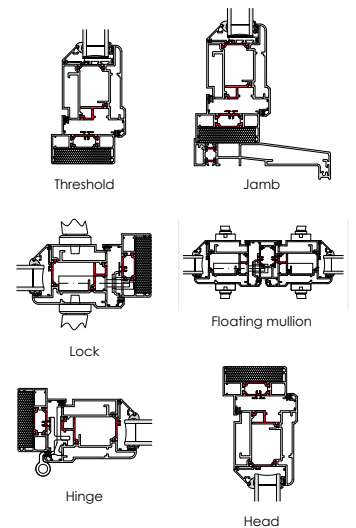
Maximum door leaf size	1020mm x 2160mm	1020mm x 2160mm	1020mm x 2160mm	1020mm x 2160mm
Maximum door leaf weight	90 Kg	90 Kg	90 Kg	90 Kg
Maximum glazing thickness	24mm - 40mm	24mm - 40mm	24mm - 40mm	24mm - 40mm

## CAD CROSS SECTIONS

### SQUARE



### CHAMFERED



**AluK (GB) Limited**  
 Newhouse Farm Ind Est  
 Chepstow  
 NP16 6UD  
 +44 (0)1291 639 739

**AluK Design Studio**  
 5-11 Worship Street  
 London EC2A 2BH

[aluk.co.uk](http://aluk.co.uk)

\* U-Value (Double Glazing) - Single Doors are calculated using EN ISO 10077 - Part 2, 1000mm x 2180mm Single Door with Ug: 1.0 W/m²K using AW604 outerframe and AD200/AD201 vent. Double Doors are calculated using EN ISO 10077 - Part 2, 2000mm x 2180mm Single Door with Ug: 1.0 W/m²K using AW604 outerframe and AD200/AD201 vent.  
 † U-Value (Triple Glazing) - Single Doors are calculated using EN ISO 10077 - Part 2, 1000mm x 2180mm Single Door with Ug: 0.7 W/m²K using AW604 outerframe and AD200/AD201 vent. Double Doors are calculated using EN ISO 10077 - Part 2, 2000mm x 2180mm Single Door with Ug: 0.7 W/m²K using AW604 outerframe and AD200/AD201 vent.